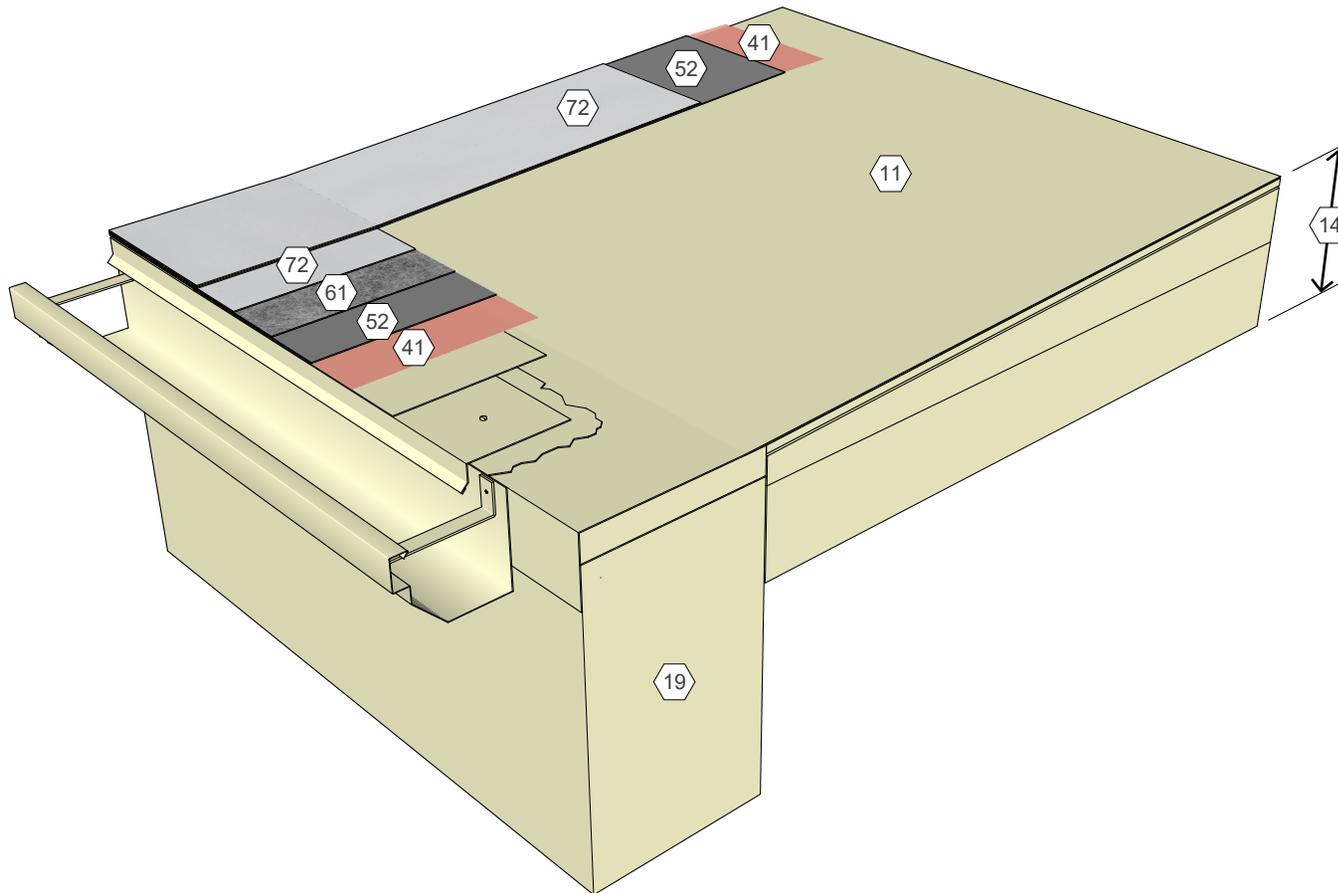


KEY NOTES

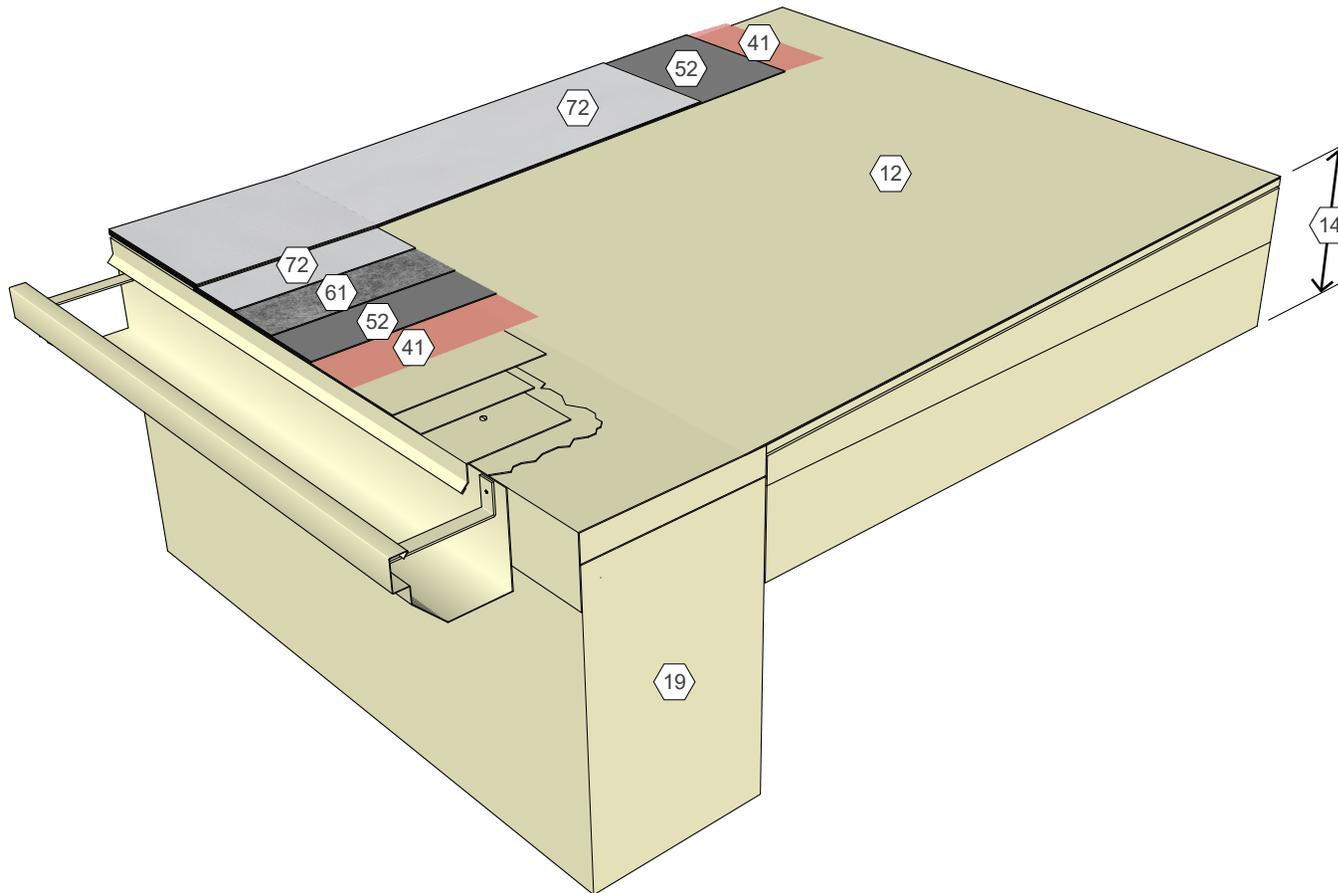
- ① Existing Single Ply Membrane
- ② Existing Structural Deck and Insulation Assembly
- ③ Existing Wall Assembly
- ④ Approved Primer
- ⑤ AlphaGuard BIO Base Coat
- ⑥ AlphaGuard Glass Mat or Permafab
- ⑦ AlphaGuard BIO Top Coat



AlphaGuard® BIO NR Restoration Detail, Single-Ply, Gutter
Detail 15251

KEY NOTES

- ⑫ Existing MB or Smooth BUR
- ⑭ Existing Structural Deck and Insulation Assembly
- ⑰ Existing Wall Assembly
- ④① Approved Primer
- ⑤② AlphaGuard BIO Base Coat
- ⑥① AlphaGuard Glass Mat or Permafab
- ⑦② AlphaGuard BIO Top Coat



AlphaGuard® BIO NR Restoration Detail, MB or Smooth BUR, Gutter
Detail 15252